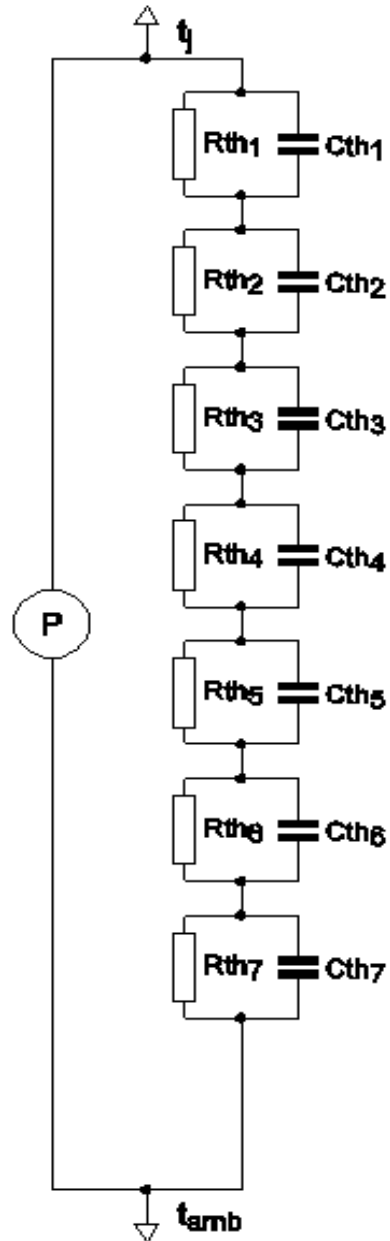


## SPICE thermal model

BUK9Y4R4-40E

Symbol	Parameter	Conditions	Min	Typ	Max	Unit
$R_{th(j-mb)}$	thermal resistance from junction to mounting base		-	-	1.02	K/W

$C_{th1}$	4.600E-05 F
$C_{th2}$	3.048E-04 F
$C_{th3}$	3.403E-04 F
$C_{th4}$	2.544E-03 F
$C_{th5}$	4.385E-03 F
$C_{th6}$	1.298E-02 F
$C_{th7}$	1.537E-01 F
$R_{th1}$	1.861E-03 $\Omega$
$R_{th2}$	3.756E-03 $\Omega$
$R_{th3}$	2.584E-02 $\Omega$
$R_{th4}$	4.203E-02 $\Omega$
$R_{th5}$	2.149E-01 $\Omega$
$R_{th6}$	6.556E-01 $\Omega$
$R_{th7}$	7.773E-02 $\Omega$



Part: BUK9Y4R4-40E  
 Date: 25/1/2013  
 Rth 1.02 K/W